

Bariatric Drop-Down Grab Rail (Single) RH or LH Nurse Call with Drop Down Leg

Material Specifications

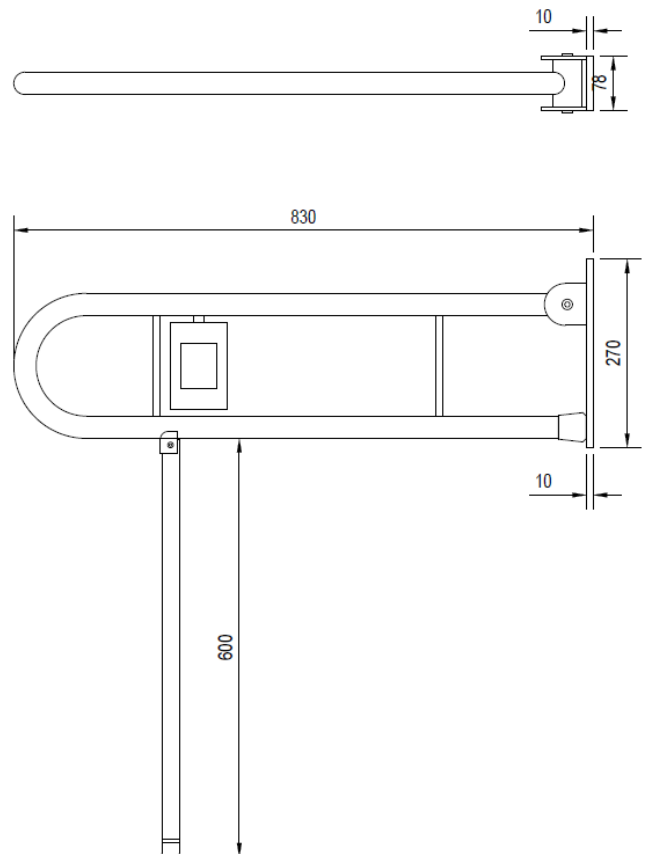
- **Tubing:** 1.6mm #304 Grade Stainless Steel - 32mm \varnothing . The first 150mm of the grab rail (top and bottom) is solid steel tubing, then 1.6mm tube is used for the rest of the rail.
- **Mounting Bracket & Brace:** 10mm #304 Grade Stainless Steel
MLRB_RHNC_SS: Bariatric Drop-Down Grab Rail (Single), Right Hand with Nurse Call
MLRB_LHNC_SS: Bariatric Drop-Down Grab Rail (Single), Left Hand with Nurse Call.

Dimensions

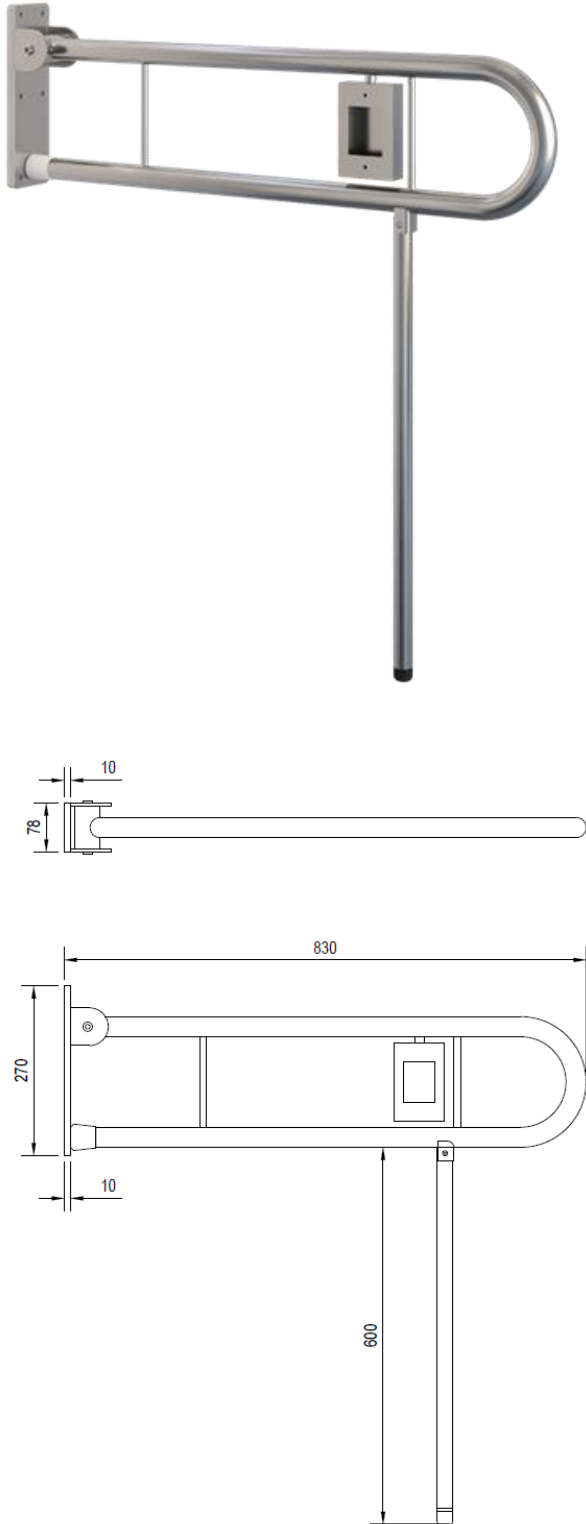
- **Overall:** 830mmL x 270mmH
- **Mounting Bracket:** 270mmH x 78mmW x 10mm Thick Plate
- **Mounting Holes:** 6 x 5.5mm \varnothing
- **Drop Down Leg:** 600mm (Drop Down Leg has approx 10mm of extension to allow for uneven surface)

Installation Guidelines

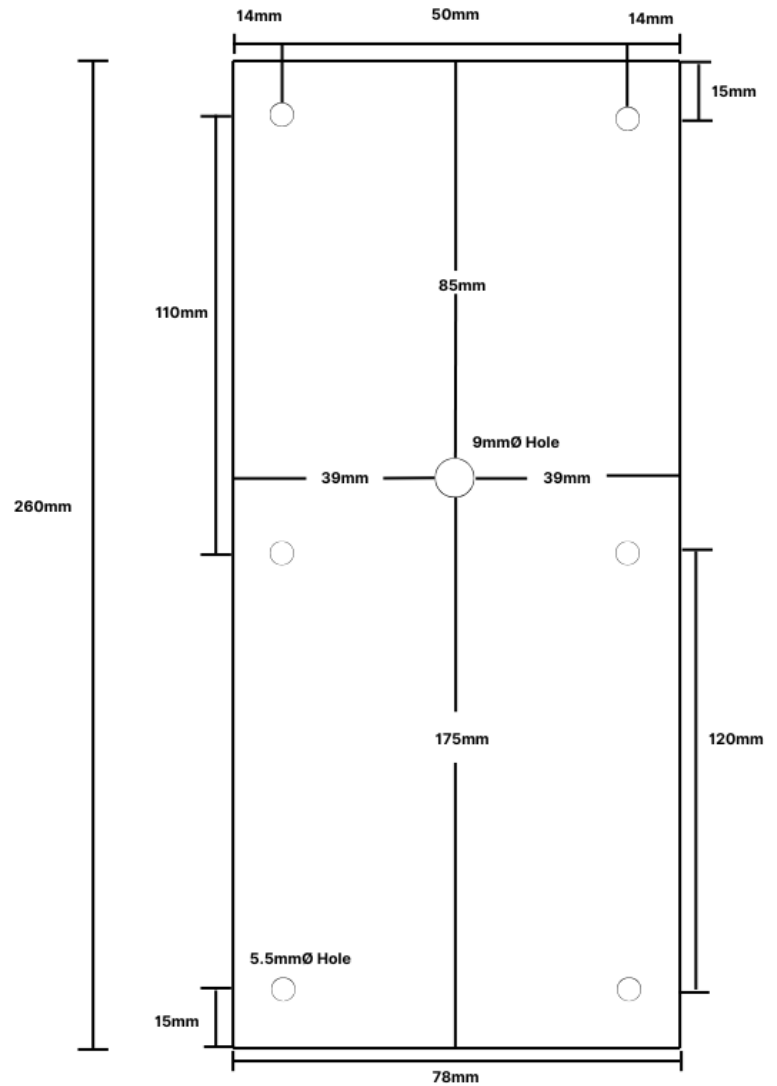
- *May be subject to Australian Building Code Regulations for height and location fixing and may be subject to placement as per architectural drawings. In all cases, this is the responsibility of the installer.*
- *Fixings and anchors are not included with the units and are the responsibility of the installer to appropriately fix the unit to the wall.*
- Hold the unit on the wall in the desired location with the leg extended to the finish floor level and mark the 6 mounting holes. Ensure that you drill a hole in the mounting plate to allow for the cable to pass through to the nurse call button.
- Secure unit to wall using suitable fixings and ensure that the mounting flange is flat against the wall.
- To finish installation, check that the grab rail moves easily from the horizontal position to the upright position. Ensure that the grab rail does not fall down when in the upright position.
- Apply a small amount of pressure to release the grab rail from upright position and lower it back to the horizontal position.



The photographs and line drawings of the products presented above are representational only. Metlam Australia Pty Ltd reserves the right to, and from time to time, make changes and improvements in design and dimensions.



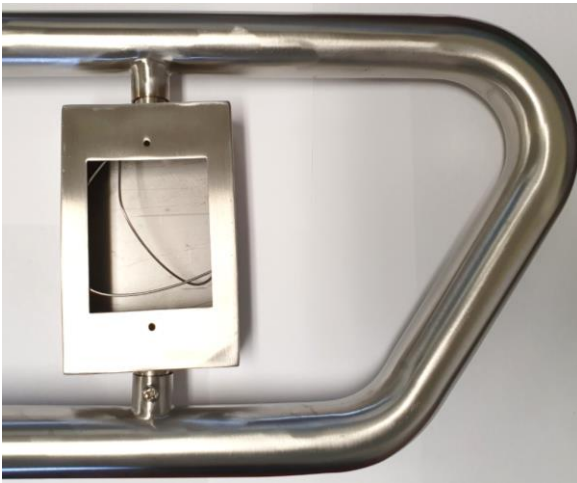
Mounting Bracket Dimensions



The photographs and line drawings of the products presented above are representational only. Metlam Australia Pty Ltd reserves the right to, and from time to time, make changes and improvements in design and dimensions.

Operation

- Grab rail can be lowered into a horizontal position when in use and folded into an upright position for storage.
- Wire for Nurse Call Button is provided. The first 150mm of the grab rail (top and bottom) is solid steel tubing, then 1.6mm tube is used for the rest of the rail. There is a hole drilled through the upper solid steel tubing to allow for the nurse call cable.



Features

- Click Lock when grab rail is in the upright position
- Grab rail comes pre-tensioned, can be tensioned as desired using an Allen Key.



The photographs and line drawings of the products presented above are representational only. Metlam Australia Pty Ltd reserves the right to, and from time to time, make changes and improvements in design and dimensions.

Safety Warning

- It is recommended that the MLRB Single Bariatric Series Pull Down Grab Rail is to be installed into a suitable substrate with appropriate fasteners, that is sufficient to withstand the required load.
- The MLRB Single Bariatric Series Pull Down Grab Rail is engineered to withstand a downward force of 500kg and sideways force of 160kg.

NOTE:

- Bariatric requirements are based on 'Australasian Health Facility Guidelines' or Australasian HFG. For more information click on the link [here](#).

The technical recommendations contained in this document are necessarily of a general nature and should not be relied on for specific applications without first securing competent advice. Whilst Metlam Australia Pty Ltd has taken all reasonable steps to ensure the information contained herein is accurate and current, it does not warrant the accuracy or completeness of the information and does not accept liability for errors or omissions. Any Commercial product should only be installed by a competent tradesperson

The photographs and line drawings of the products presented above are representational only.
Metlam Australia Pty Ltd reserves the right to, and from time to time, make changes and improvements in design and dimensions.

Installation Guidelines Sheet



and serviced/maintained by knowledgeable janitorial staff or competent people. Metlam Australia accepts no responsibility for any damage to product, walls or fixtures due to incorrect installation or maintenance of any of their products.

The photographs and line drawings of the products presented above are representational only.
Metlam Australia Pty Ltd reserves the right to, and from time to time, make changes and improvements in design and dimensions.